

Square Type

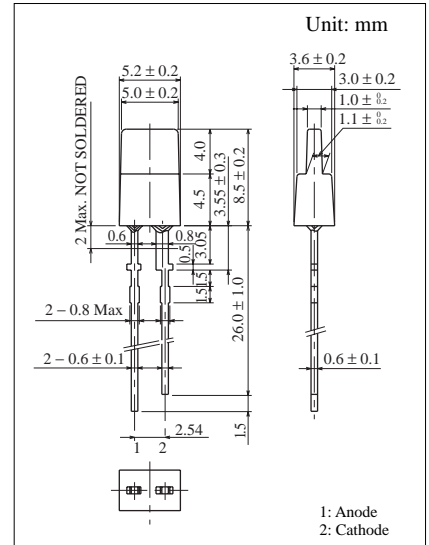
5.0 mm × 1.0 mm Series

Conventional Part No.	Global Part No.	Lighting Color
LN224RPH	LNG224RFR	Red
LN324GPH	LNG324GFG	Green
LN424YPH	LNG424YFX	Amber

Absolute Maximum Ratings ($T_a = 25^\circ\text{C}$)

Lighting Color	P_D (mW)	I_F (mA)	I_{FP} (mA)*	V_R (V)	T_{opr} ($^\circ\text{C}$)	T_{stg} ($^\circ\text{C}$)
Red	70	25	150	4	-25 ~ +85	-30 ~ +100
Green	90	30	150	4	-25 ~ +85	-30 ~ +100
Amber	90	30	150	4	-25 ~ +85	-30 ~ +100

I_{FP} の条件は $duty$ 10% Pulse width 1 msec. The condition of I_{FP} is duty 10%, Pulse width 1 msec



Electro-Optical Characteristics ($T_a = 25^\circ\text{C}$)

Conventional Part No.	Lighting Color	Lens Color	I_O		I_F	V_F		λ_p	$\Delta\lambda$	I_F	I_R	
			Typ	Min		Typ	Max				Max	V_R
LN224RPH	Red	Red Diffused	0.6	0.3	15	2.2	2.8	700	100	20	5	4
LN324GPH	Green	Green Diffused	2.5	1.0	20	2.2	2.8	565	30	20	10	4
LN424YPH	Amber	Amber Diffused	2.0	0.7	20	2.2	2.8	590	30	20	10	4
Unit	—	—	mcd	mcd	mA	V	V	nm	nm	mA	μA	V

